

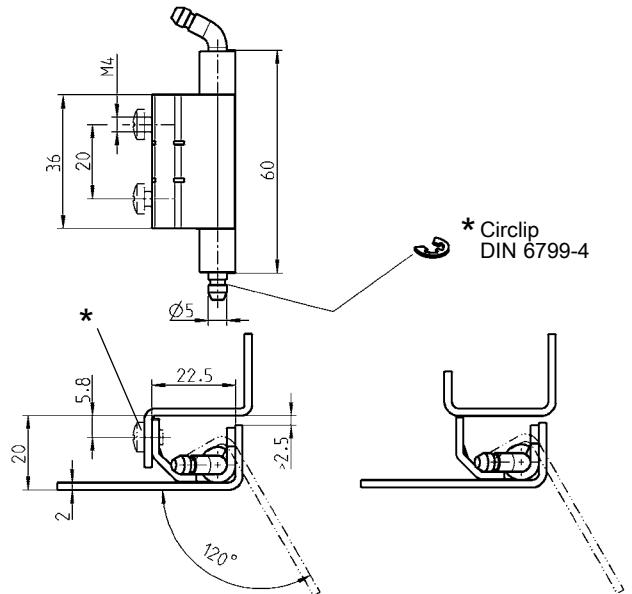
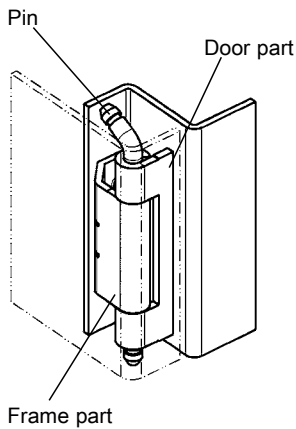
## 120° hinge PROGRAM 1069

Beschlagteile



120° hinge  
for 20 mm door return

STAINLESS STEEL

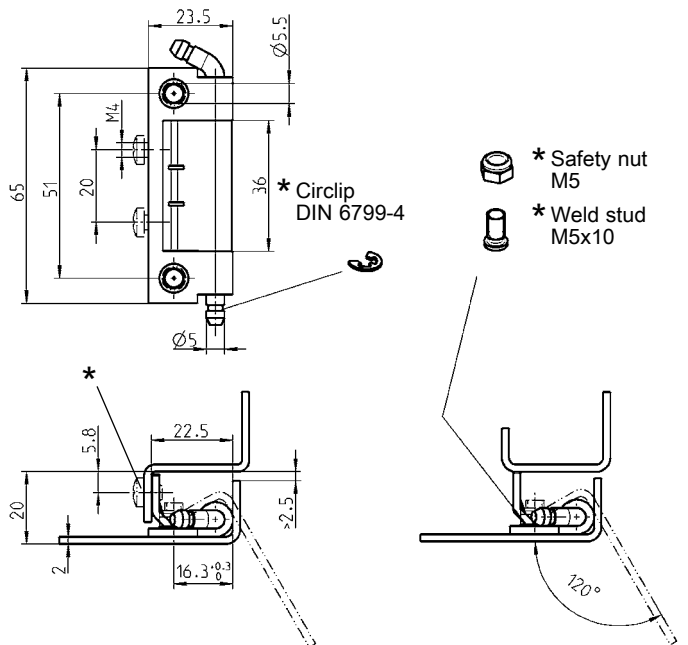
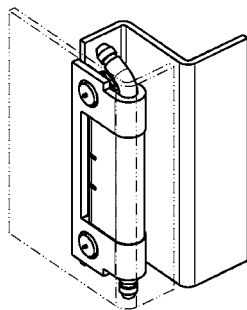


Scroll Down for More Similar Hinges

Hinge m.s. zinc pl. or stainl. steel, weld-on part m.s. raw or AISI 304

screw-on m.s.	1069-U1	weld-on m.s.	1069-U2
screw-on AISI 304	1069-U4	weld-on AISI 304	1069-U3

120° hinge for weld stud fastening  
for 20 mm door return



Keep Scrolling 6 Pages

\* not included

Further parts see page  
– Fixing material

12E-100

Hinge m.s. zinc pl., screw-on

1069-U6

Hinge, m.s. zinc pl., weld-on

weld-on part m.s. raw

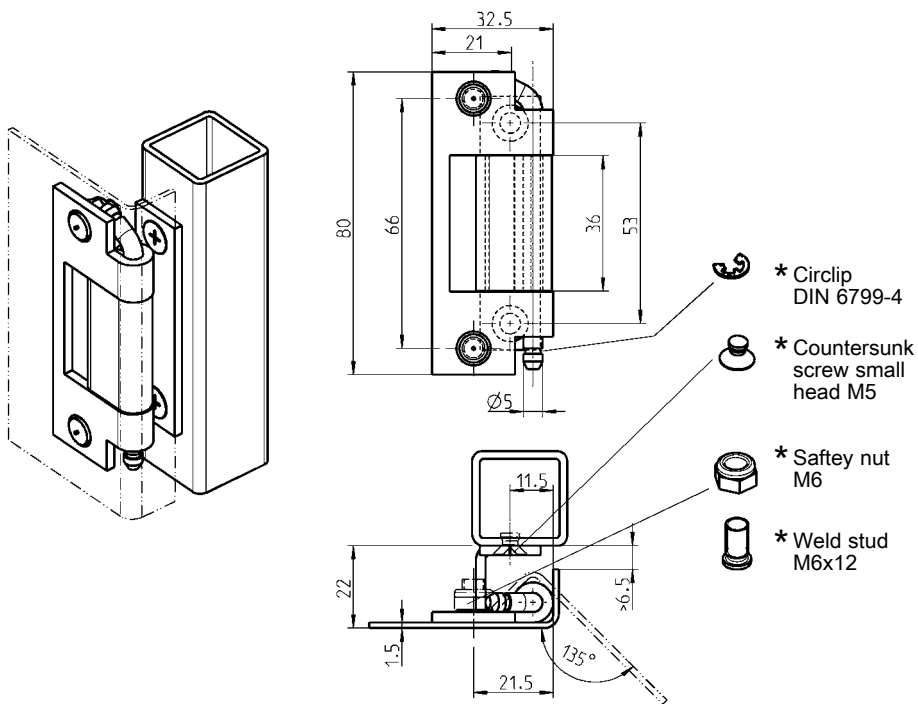
1069-U5



# Hinge

## PROGRAM 1032, 1110

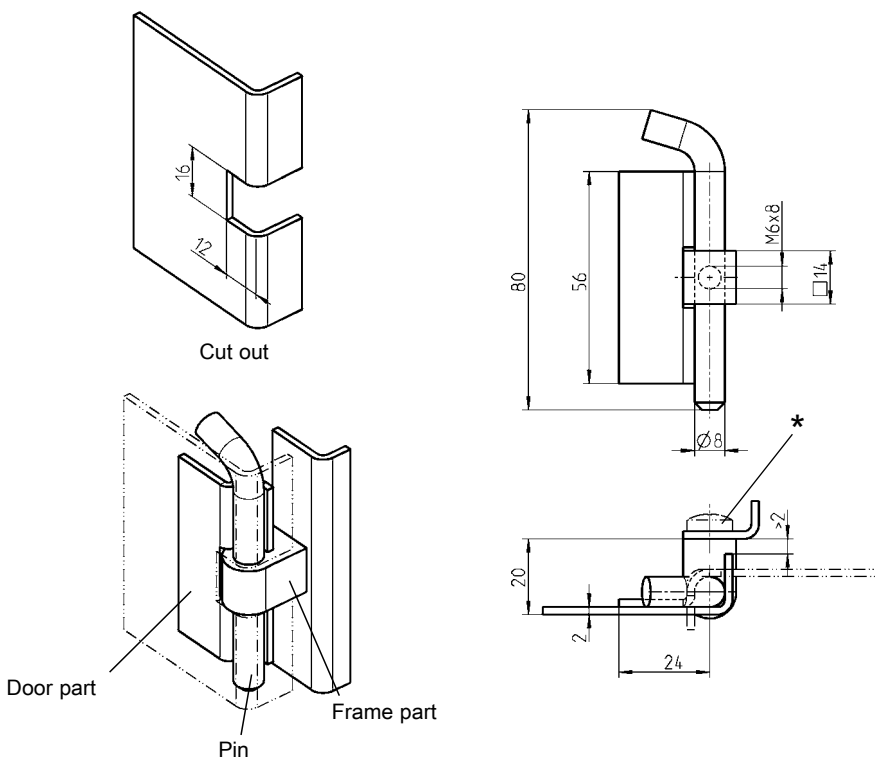
135° hinge for 22 mm door return



Hinge m.s. zinc pl.

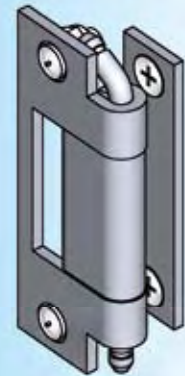
1032-U6

180° hinge for 20 mm door return

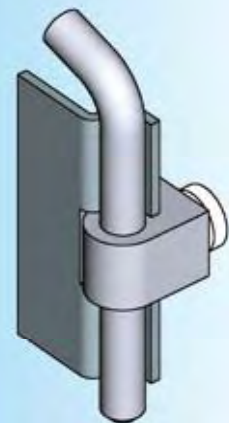


Hinge m.s. zinc pl., weld-on parts raw

1110-U1



small head = DIN ISO 2009, 2010, 7046-1, 7046-2, 7047



\* not included

Further parts see page  
– Fixing material

12E-100

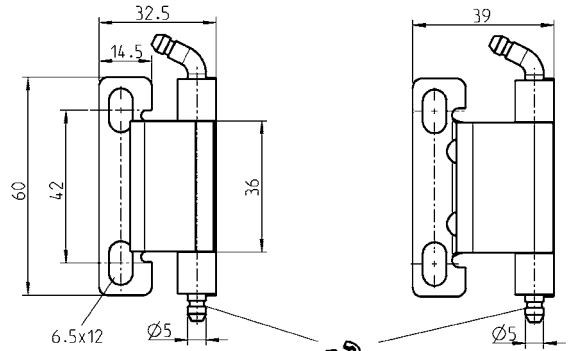
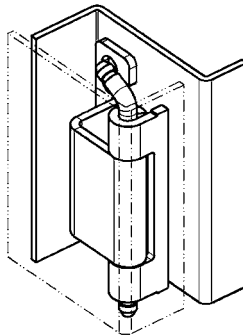
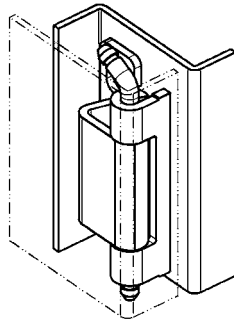
## 120° hinge PROGRAM 1031, 1032

Beschlagteile

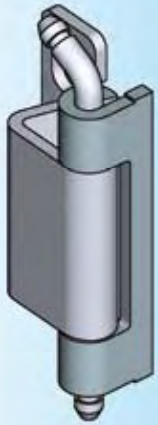
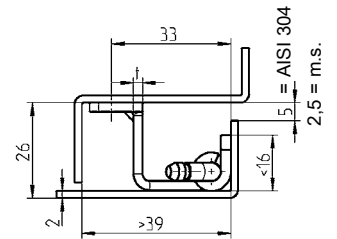
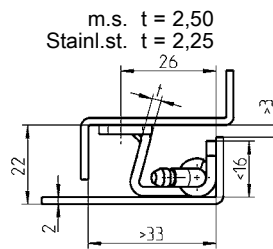


120° hinges for 22 or 26 mm door return

STAINLESS STEEL



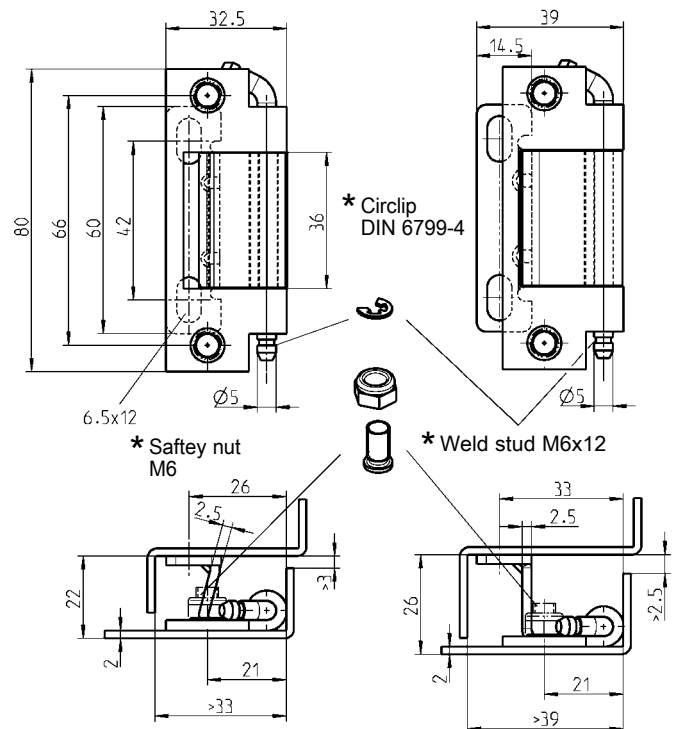
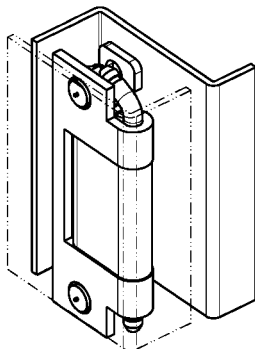
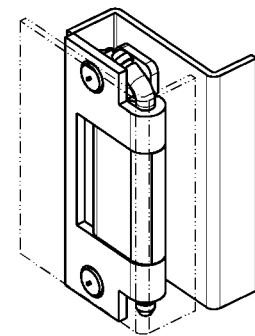
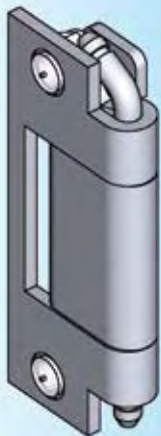
\* Circlip  
DIN 6799-4



120° hinge m.s. zinc pl. or stainl. steel, weld-on part m.s. raw or AISI 304

St (Size 22)	1032-U1	St (Size 26)	1031-U1
AISI (Size 22)	1032-U2	AISI (Size 26)	1031-U2

120° hinges for  
a weld stud for 22 or 26 mm door return



\* not included

Further parts see page  
– Fixing material

12E-100

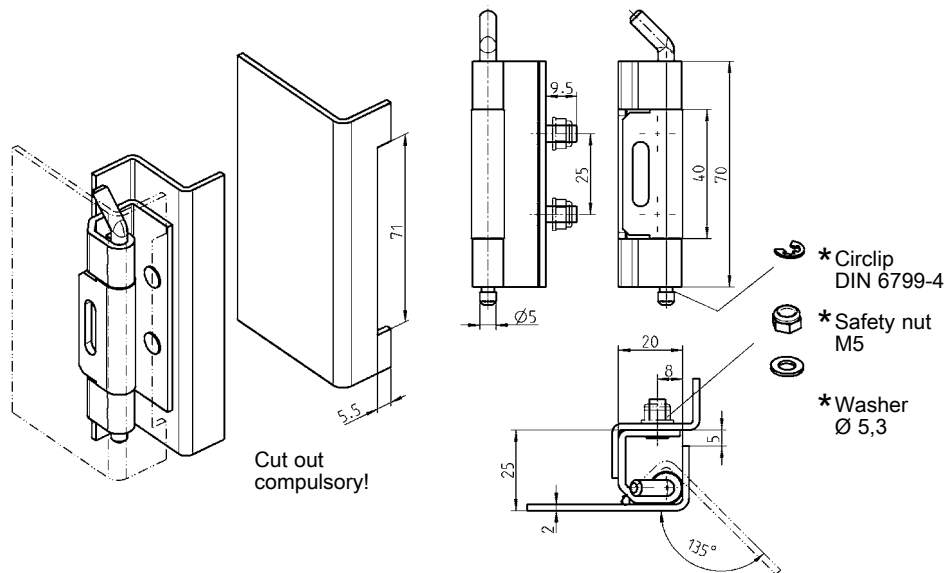
Hinge m.s. zinc pl.

(Dim. 22)	1032-U5	(Dim. 26)	1031-U10
-----------	---------	-----------	----------

# Hinge

## PROGRAM 1069, 1031

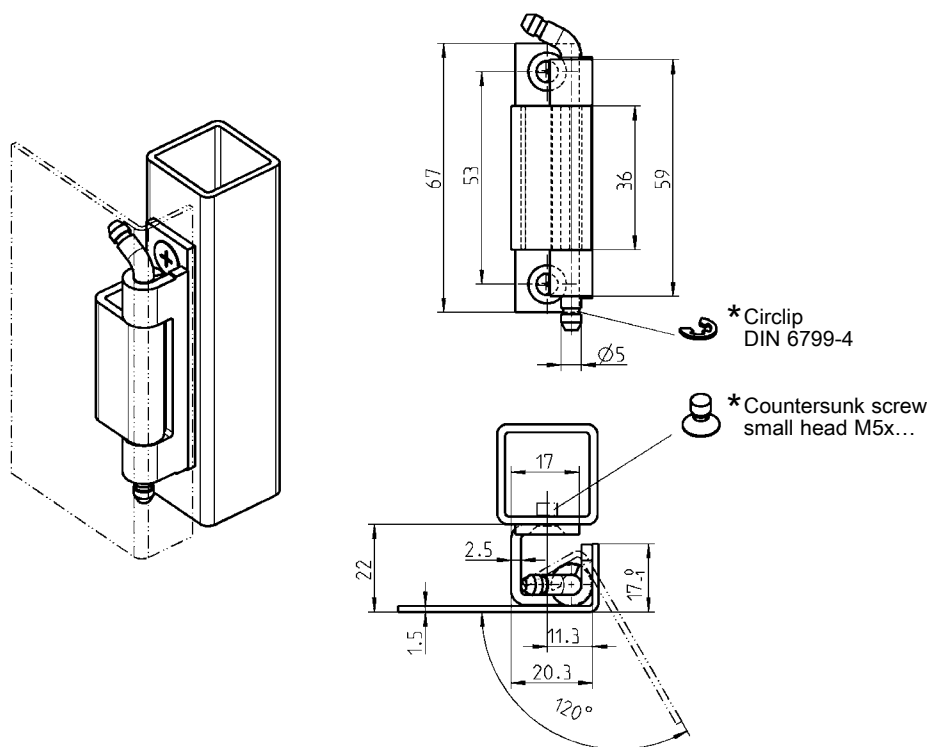
135° hinge for 20/25 mm door return



Frame part m.s. zinc pl. with studs M5x12,  
door part m.s. raw weld-on version, pin m.s. zinc pl.

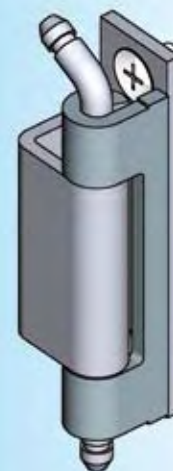
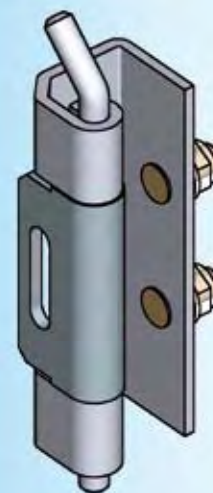
1069-U7

120° hinge for 22 mm door return



120° hinge m.s. zinc pl., weld-on part m.s. raw

1031-U7



\* not included

small head = DIN ISO 2009,  
2010, 7046-1, 7046-2, 7047

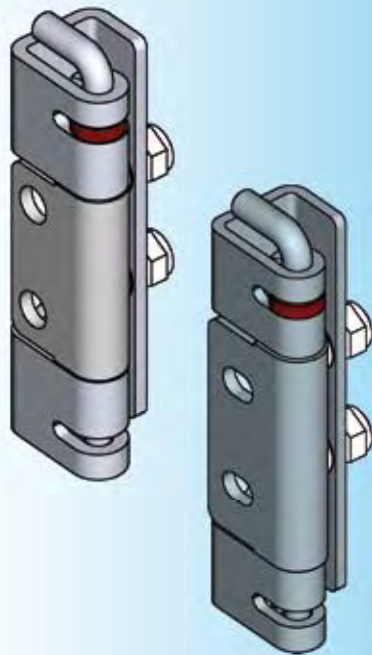
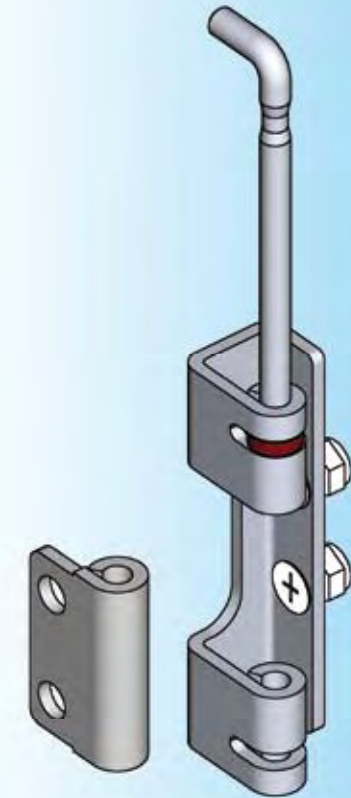
Further parts see page  
– Fixing material

12E-100

### 125° hinge with captive pin

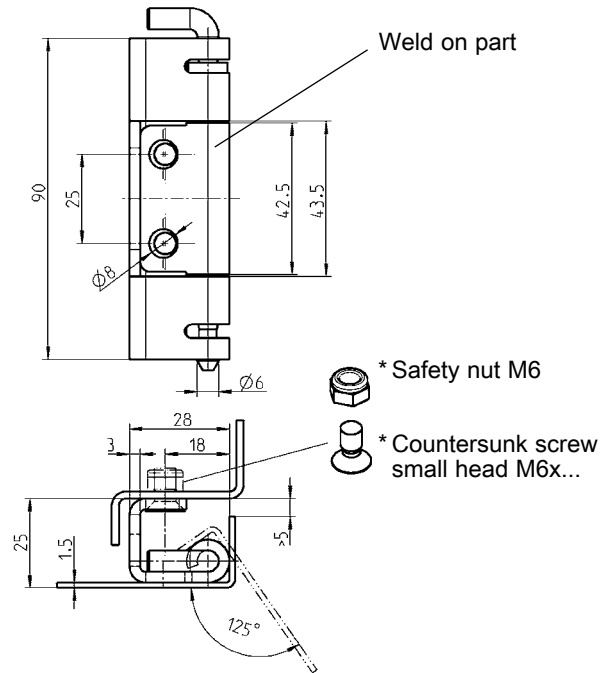
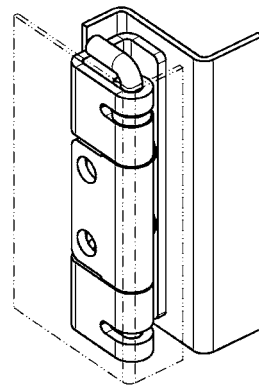
#### PROGRAM 1031

125° hinge for single cabinets  
for 25 mm door return



\* not included

small head = DIN ISO 2009,  
2010, 7046-1, 7046-2, 7047

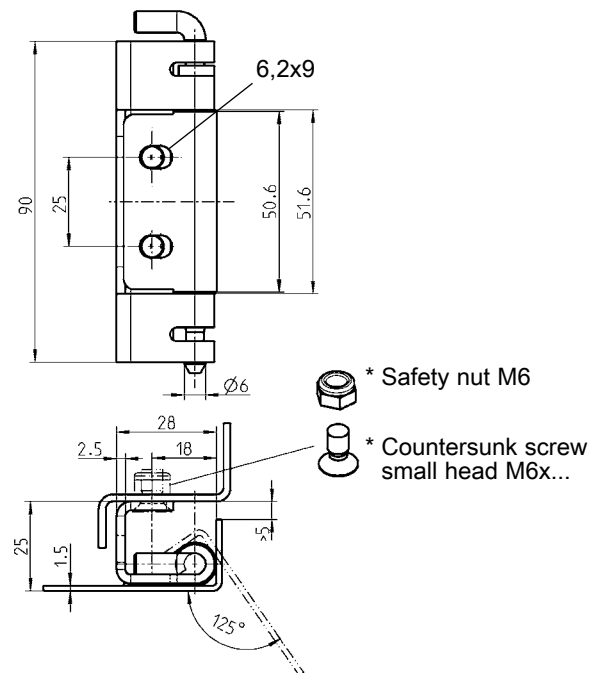
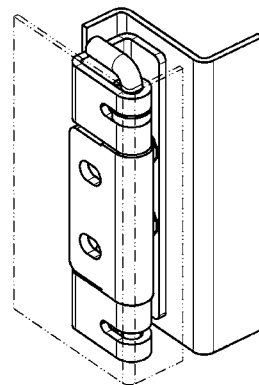


125° hinge m.s zinc plated, door part m.s. raw, pin clamping ring POM red

1031-U12



125° hinge for single cabinets  
for 25 mm door return



125° hinge material on choice, pin clamping ring ROM red

AISI 304

m.s. zinc plated

1031-U13

on request

# 115° stainless steel hinge with captive pin

## PROGRAM 1031

115° hinge for single cabinets  
for 26 mm door return

## Beschlagteile

