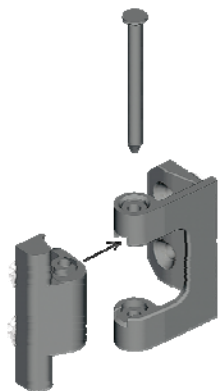


FOR SURFACE MOUNTED DOORS, FULL 180° HINGE P/N 1110-U126/U133



Perfect for **Server Rack** rear doors (Hot Aisle)

Any enclosure where **unobstructed access** is important

Where low **“total installed cost”** is important

Alternate installation methods available

See how it works:

<http://www.youtube.com/watch?v=VY33UD2xOTU>



Please scroll down for more details

FOR SURFACE MOUNTED DOORS, FULL 180° HINGE P/N 1110-U126/U133

Hinge Type – Full 180° door opening even next to similar enclosures

Installation – Fast, lowest cost; by pin clamp for 14 or 16 ga steel

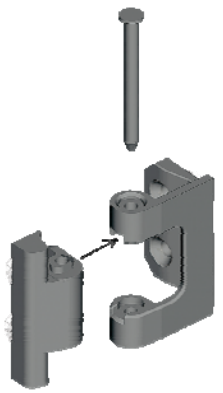
Door Installation & Removal – Quick and Easy, one man operation

Material – Zinc alloy frame part; GR nylon or Alloy door part

Door Type - 25 mm deep, surface mounted

Security – Door cannot be removed when closed

Ambidextrous – One hinge for both Left and Right hinges doors



Please scroll down for more details

HINGE P/N 1110-U126/133 Possible Alternatives



1110-U78
1110-U68

Hinge Type – Lift-off hinges of this type need different hinges for Left and Right hinged doors. See 1110-U68 type for 25mm deep doors and 1110-U78 type for 20mm doors

Material – For **Stainless** see P/Ns 1110-U120-PH, however the 1110-U126 is suitable for most outdoor environments

Max. Opening Angle If full **180°** is not needed see P/N 1110-U2 and similar

Installation – For **fastening by screws** see 1110-U122

Captive Door Hinges - See 1110-U127 type or 1110-U4-N



1110-U2



1110-U4-N



1110-U127,128

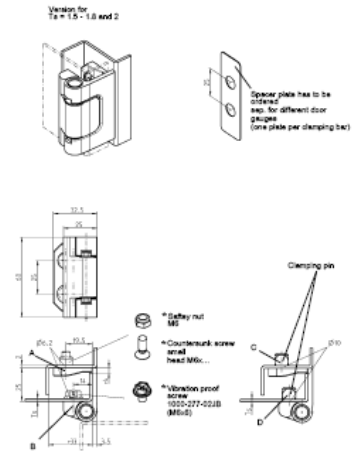
Please scroll down for more details

Click here for Stp file
1110-u126_asm.stp.zip

180° hinge
PROGRAM 1110

180° Hinge for in-line cabinets with single door
Bl-off upon 90° opening angle for 25 mm door return

Version for
Ta = 1.5 - 1.8 and 2



Spacer plate has to be ordered sep. for different door gauges (one plate per clamping bar)

Clamping pin

* Dolly nut M5
* Countersunk screw small head M5...
* Vibration proof screw 1050-C27-C21B (M5x2)

180° Hinge also die blank p.a., clamping pin polyamide GP black, hinge pin end clip polyamide GP black

| | |
|--------------------------------|-----------|
| Version | Ta = 2.0 |
| A + B, screw (2D-nut possible) | 1110-U122 |
| C+D, clamp | 1110-U126 |

180° Hinge, Hinge bracket black powder coated die-cast zinc, polyamide Hinge bracket 90 GP 90 black, mounting pin polyamide black, pin end clip polyamide black

| | |
|---|----------------|
| Version | Ta = 1.5 - 1.8 |
| A + D, bolted and clamped (2D-nut used) | 1110-U133 |

Support plate 304 (1x per pin fitting)

| | |
|---|------------|
| or Ta 1.0 (1110-U128) | 1110-30-01 |
| for Ta 0.8 (1110-U135) | |
| for Ta 1.5 (1110-U125), for Ta 1.0 to 1.3 (1110-U133) | 1110-30 |

EMKA Beschlagteile

2D
RL

* not included

small head = DIN ISO 2006, 2010, 7046-1, 7046-2, 7047

Further parts see page

| | |
|--------------------|---------|
| - 2D-nut | 12E-120 |
| - Fitting material | 12E-100 |

4A-215 case

Please scroll down for more details

HINGE P/N 1110-U126/U133

Click here for Stp file
1110-u126_asm.stp.zip

For an overview of EMKA: <http://youtu.be/HBeJrTpB00o>

For Hinge Strength concerns please click here:
http://emka2.user-feedback.com/images/strength_of_hinges.pdf